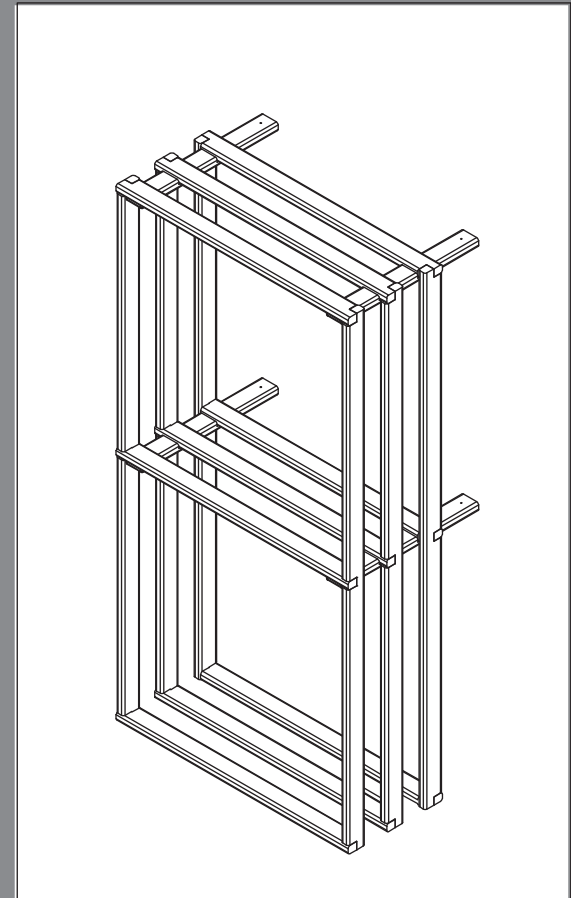


# Vintage Classic Kit Rack™

by VintageKeeping



## ASSEMBLY INSTRUCTIONS



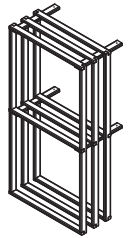
### FOR KIT RACKS:

- BIN16 32
- BIN16 48
- BIN32 32
- BIN32 48
- BURGUNDY 16 32
- BURGUNDY 16 48
- CHAMPAGNE 16 32
- CHAMPAGNE 16 48
- WOODCASE 16 32
- WOODCASE 16 48

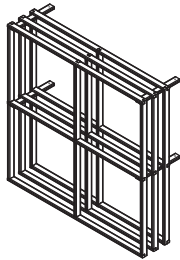
# INTRODUCTION

Thank you for purchasing a Vintage Classic KIT RACK. The following instructions will help you assemble kit number BIN 16 32. The same procedure can be followed to assemble kits BIN 16 48, BIN 32 32, BIN 32 48, BURGUNDY 16 32, BURGUNDY 16 48, CHAMPAGNE 16 32, CHAMPAGNE 16 48, WOOD CASE 24 32, WOOD CASE 24 48

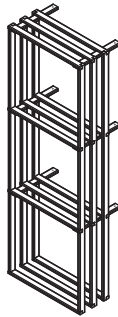
Please study carefully the instructions prior to starting the assembly.



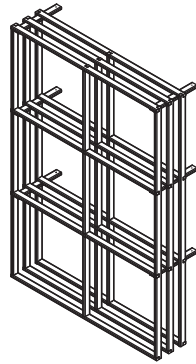
BIN 16 32



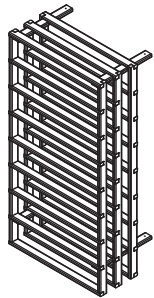
BIN 32 32



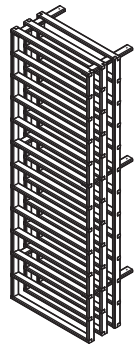
BIN 16 48



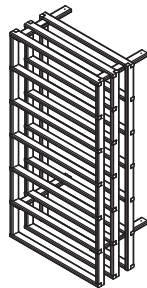
BIN 32 48



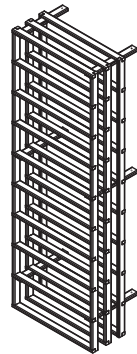
BURGUNDY 16 32



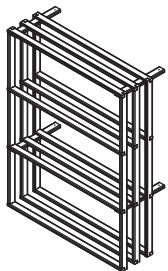
BURGUNDY 16



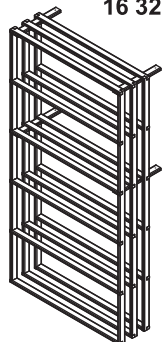
CHAMPAGNE 16 32



CHAMPAGNE 16 48



WOOD CASE 24 32



WOOD CASE 24 48

### TYPE

- Philips Flathead 1 1/2"  
QTY: 4



- Philips Flathead 1/2"  
QTY: 4



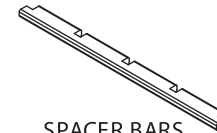
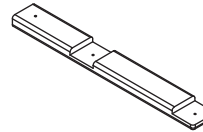
- Philips Panhead 5/8"  
QTY: 12



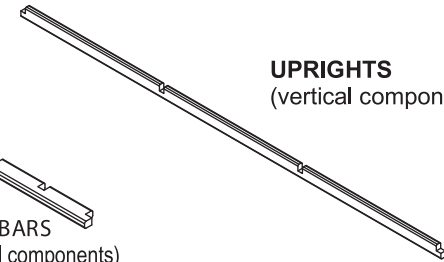
# COMPONENTS

The following components are included in kit:

### CLEATS



SPACER BARS  
(horizontal components)



UPRIGHTS  
(vertical components)

### QUANTITY OF COMPONENTS PER KIT

KIT NUMBER	COMPONENT		
	SPACER BARS	UPRIGHTS	CLEATS
BIN 16 32	9	6	4
BIN 32 32	N/A	18	4
BIN 16 48	12	6	4
BIN 32 48	12	9	4
BURGUNDY 16 32	27	6	4
BURGUNDY 16 48	39	6	6
CHAMPAGNE 16 32	21	6	4
CHAMPAGNE 16 48	30	6	6
WOOD CASE 24 32	12	6	4
WOOD CASE 24 48	18	6	4

# HARDWARE

The following hardware and quantity is included in kit:  
(NOTE: Quantity vary in kit)

- ANGLED BRACKETS  
QTY: 4



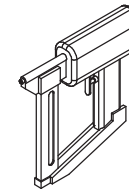
- DRYWALL ANCHORS  
QTY: 4



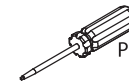
- BRAD NAILS  
18 GAUGE  
(3 SLEEVES)

# TOOLS REQUIRED

The following tools are required (NOT INCLUDED):



NAIL GUN (with appropriate air compressor or electric nailer)  
For 18 gauge brand nails (supplied)



PHILIPS HEAD SCREWDRIVER



WOOD GLUE

**IMPORTANT!**  
Always follow the manufacturer's instructions on how to use the nail gun to prevent injury. VintageKeeping is not liable for any injury incurred by any power tool or tool used to assemble the kit

# ASSEMBLY

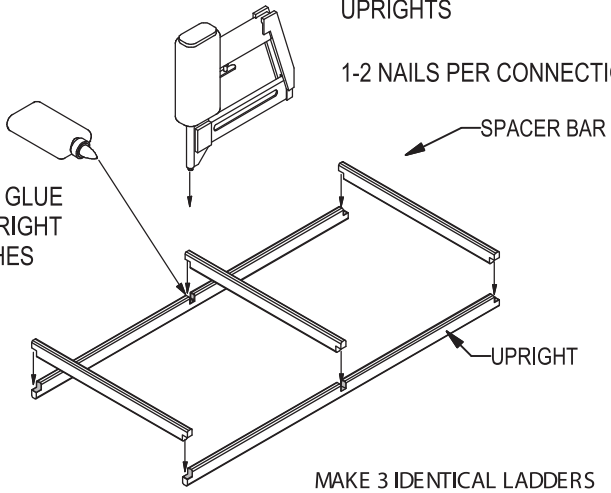
**STEP 1**

ASSEMBLE "LADDERS"

NAIL SPACER BARS TO UPRIGHTS

1-2 NAILS PER CONNECTION

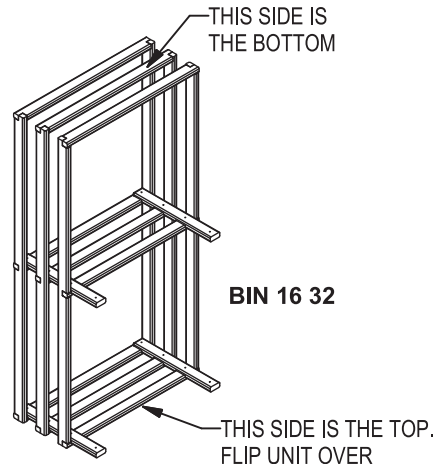
APPLY GLUE TO UPRIGHT NOTCHES



**STEP 5**

PLACE 3 MORE CLEATS

FOLLOW STEP 3 TO ATTACH 3 MORE CLEATS IN THE POSITIONS SHOWN ON THE DIAGRAM

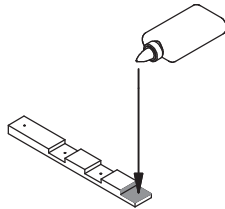


**NOTE:**

Placement of the cleats depends on the kit you purchased. See the diagrams below to determine the position of the cleats according to your kit.

**STEP 2**

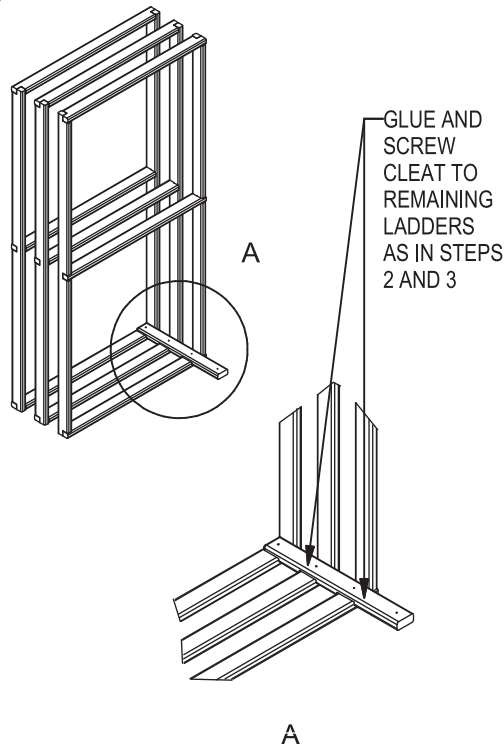
APPLY GLUE TO CLEAT NOTCHES



APPLY GLUE SPARINGLY TO FIRST NOTCHE

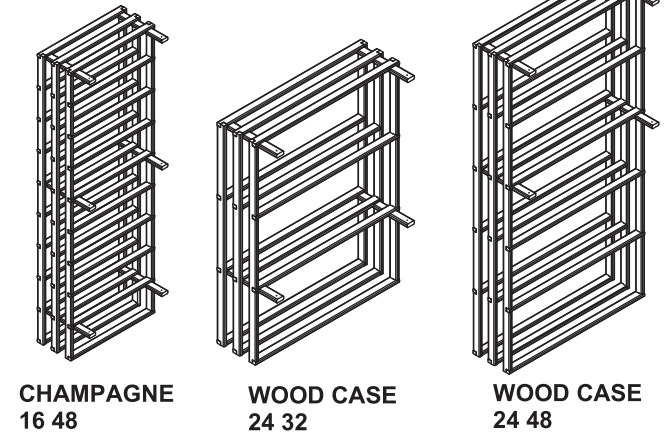
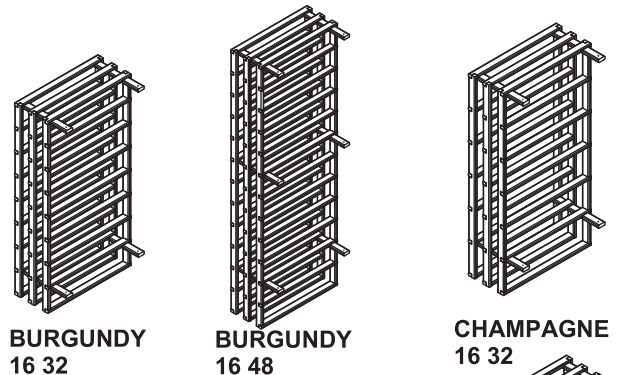
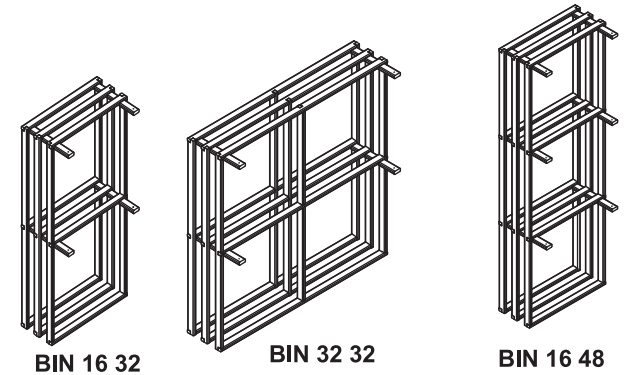
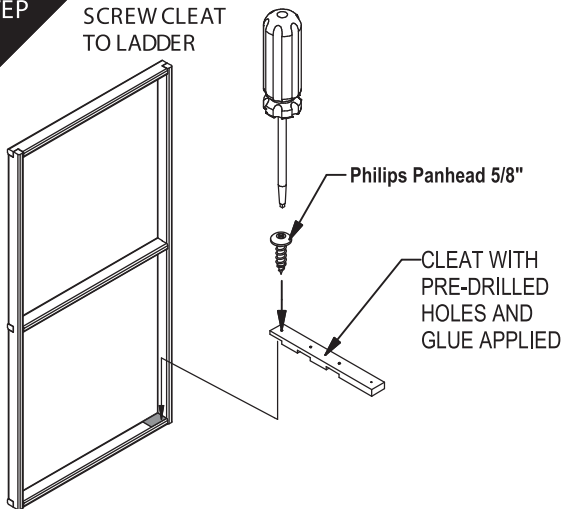
**STEP 4**

PLACE 2 REMAINING LADDERS INTO CLEAT NOTCHES



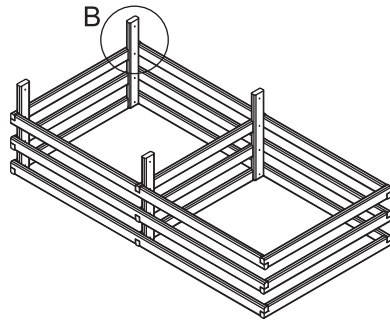
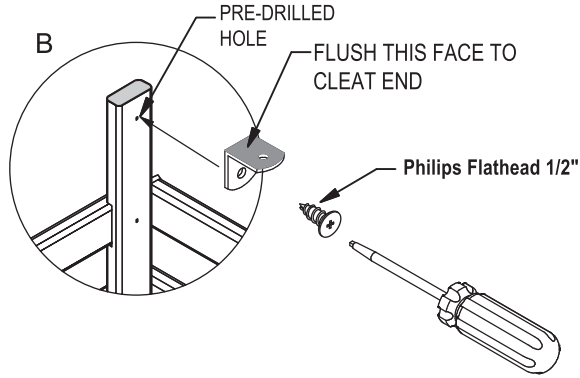
**STEP 3**

SCREW CLEAT TO LADDER



**STEP 6**

SCREW ANGLED BRACKETS TO EACH CLEAT



**AT THIS POINT THE BIN IS COMPLETED  
FOLLOW STEP 6 IF THIS UNIT REQUIRES  
A BASE ASSEMBLY  
FOLLOW STEP 7 FOR ASSEMBLING TO  
OTHER UNITS AND MOUNTING TO WALL**

**STEP 8**

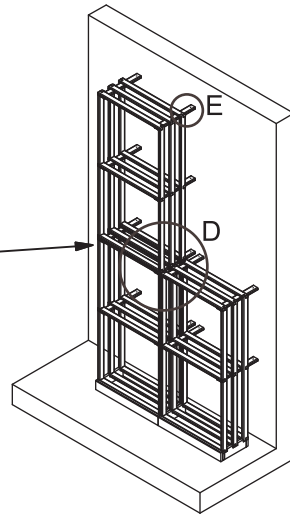
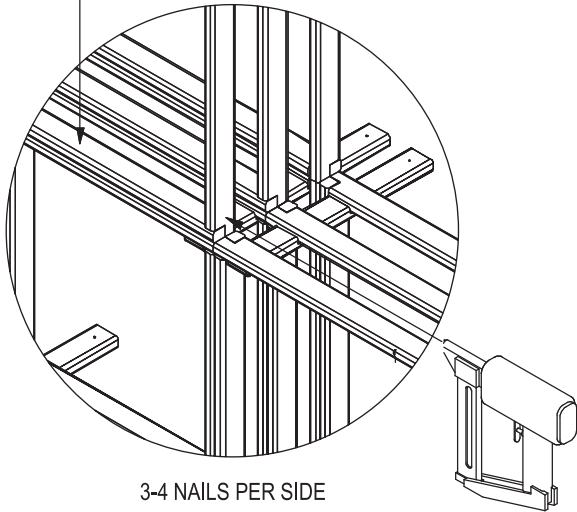
ATTACHING COMPLETED UNIT TO WALL AND OTHER UNITS

USE NAIL GUN TO ATTACH UNITS TO EACH OTHER

3 - 4 NAILS PER SIDE

MULTIPLE UNITS MAY BE STACKED TO REACH DESIRED HEIGHT

D

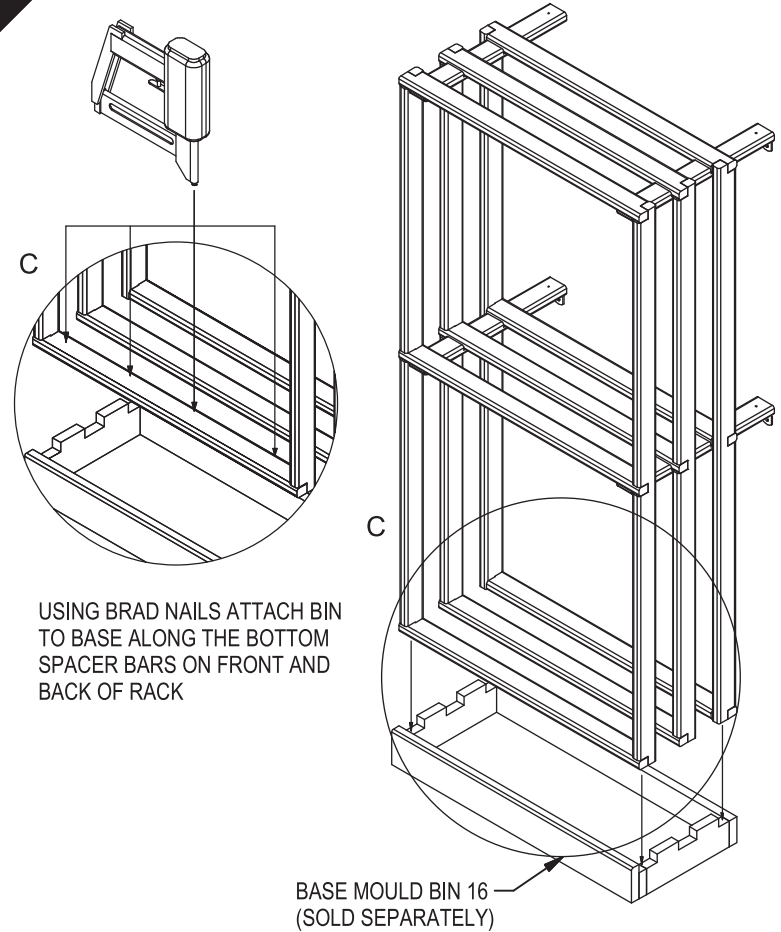


**IMPORTANT**

- 1 - PRIOR TO ATTACHING UNITS TO THE WALL PRE-MOUNT THE UNITS IN THEIR DESIRED POSITIONS
- 2 - USE A PENCIL TO MARK THE LOCATIONS OF WHERE THE ANGLED BRACKETS WILL BE FIXED TO THE WALL
- 3 - PRE-DRILL HOLES AT THESE MARKINGS AND INSTALL THE DRYWALL ANCHORS PROVIDED WITH THE KIT

**STEP 7**

ATTACHING BASE ASSEMBLY (sold separately)

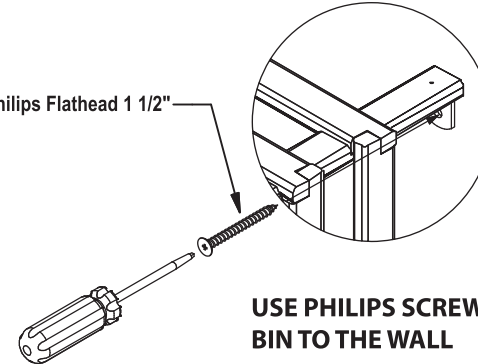


C

BASE MOULD BIN 16 (SOLD SEPARATELY)

E

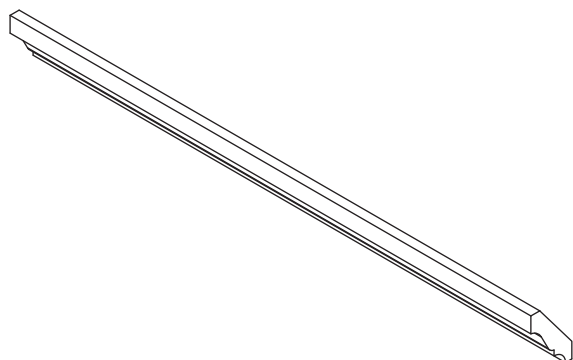
Philips Flathead 1 1/2"



USE PHILIPS SCREW TO SECURE BIN TO THE WALL

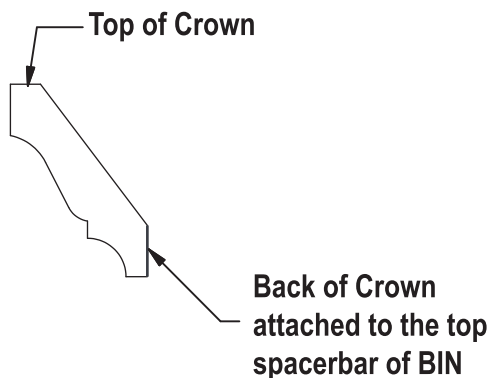
**STEP  
8**

**ATTACHING CROWN MOULD TO BIN**

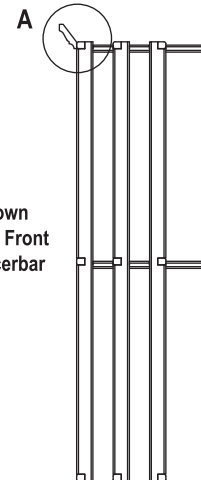
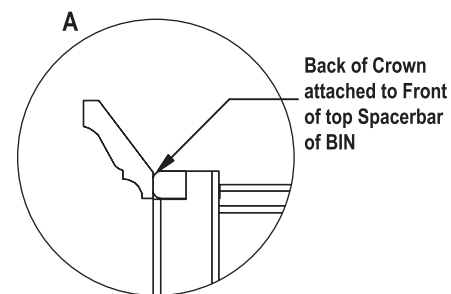


**\*NOTE: CROWN IS NOT PROVIDED WITH KITS**

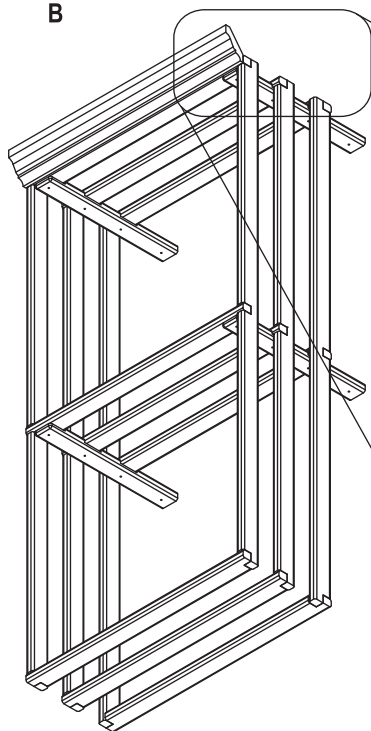
**CROWN PROFILE**



**SIDE VIEW OF CROWN ATTACHED TO TOP SPACERBAR OF BIN**

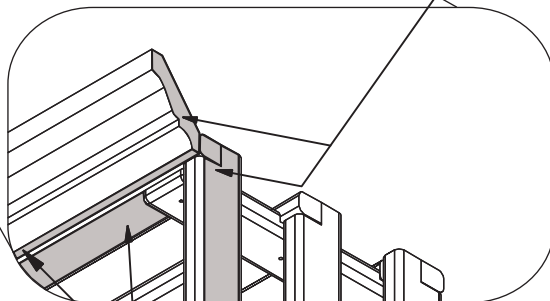


**B**



**VIEW OF BIN FROM UNDERNEATH TO SHOW FACES OF CROWN FLUSHED WITH BIN**

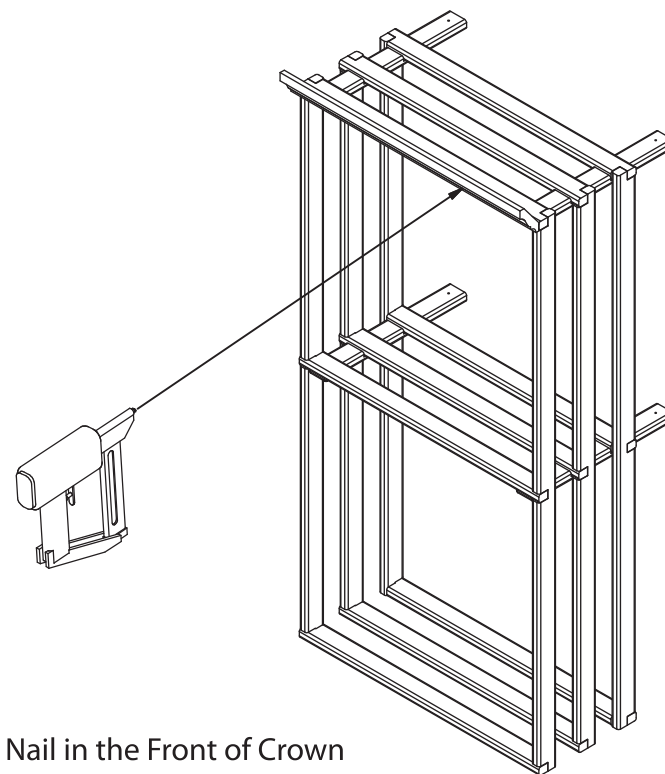
**B**



**Side of Crown attached to the side of the upright of Bin**

**Bottom of Crown Flushed to the Bottom of the top Spacerbar of Bin**

**CROWN ATTACHED TO BIN**



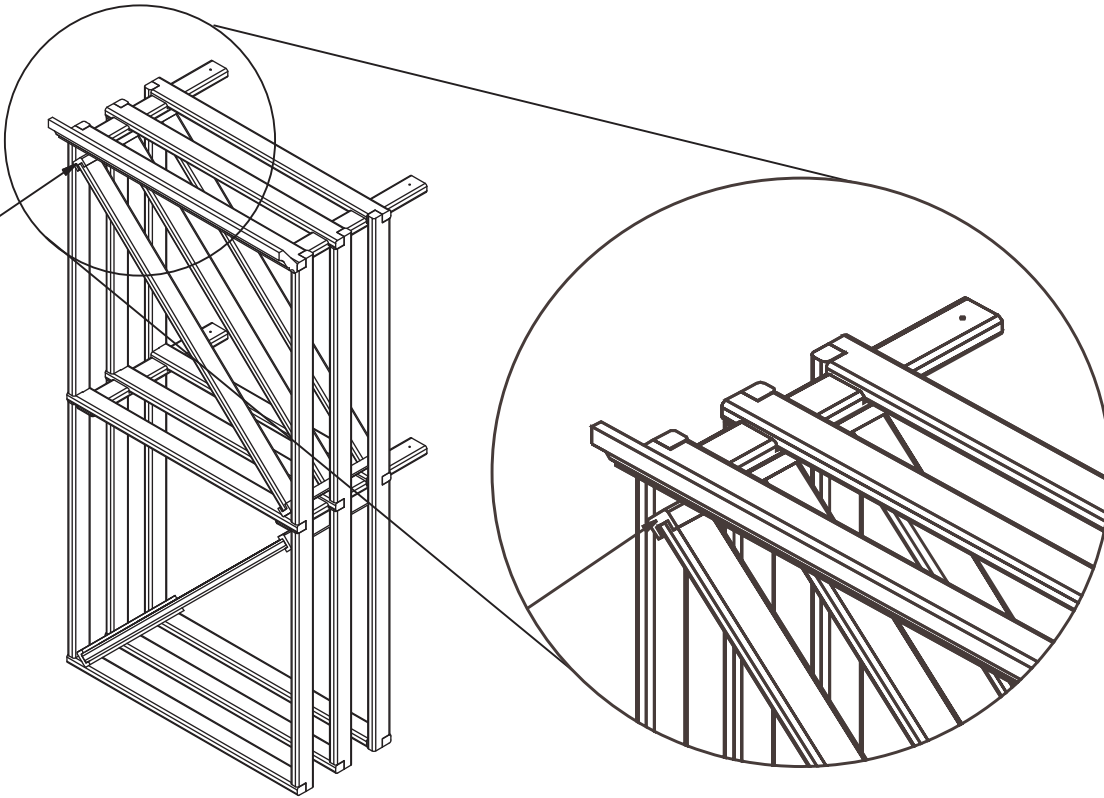
**Nail in the Front of Crown**

**1-2 NAILS PER LOCATION**

STEP  
9

**SLIDE BIN DIVIDERS INTO PLACE**

Dividers slid into place



**FRONT VIEW OF BINS WITH DIVIDERS**

